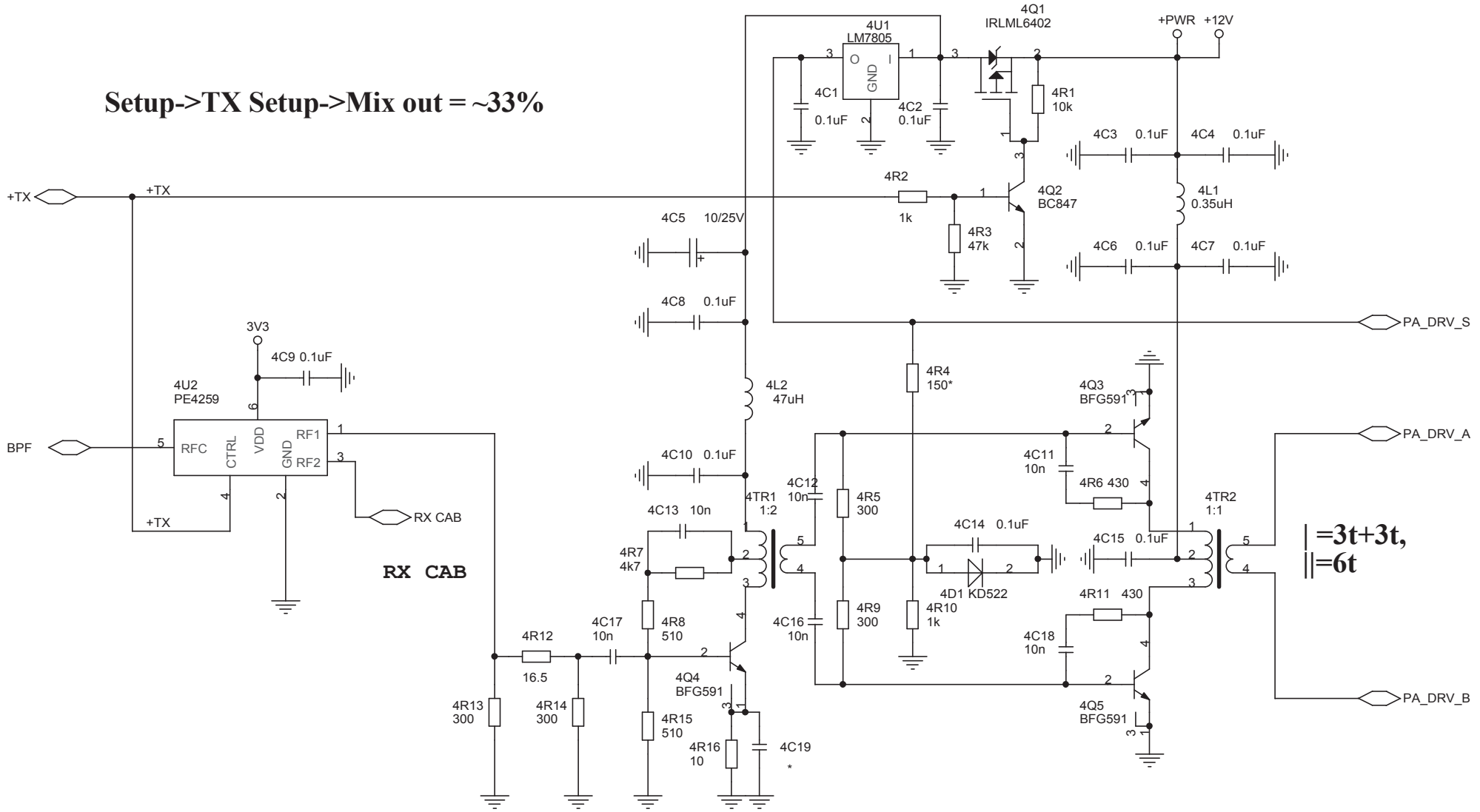


**Setup->TX Setup->Mix out = ~33%**



$|| = 3t + 3t,$   
 $|| = 6t$

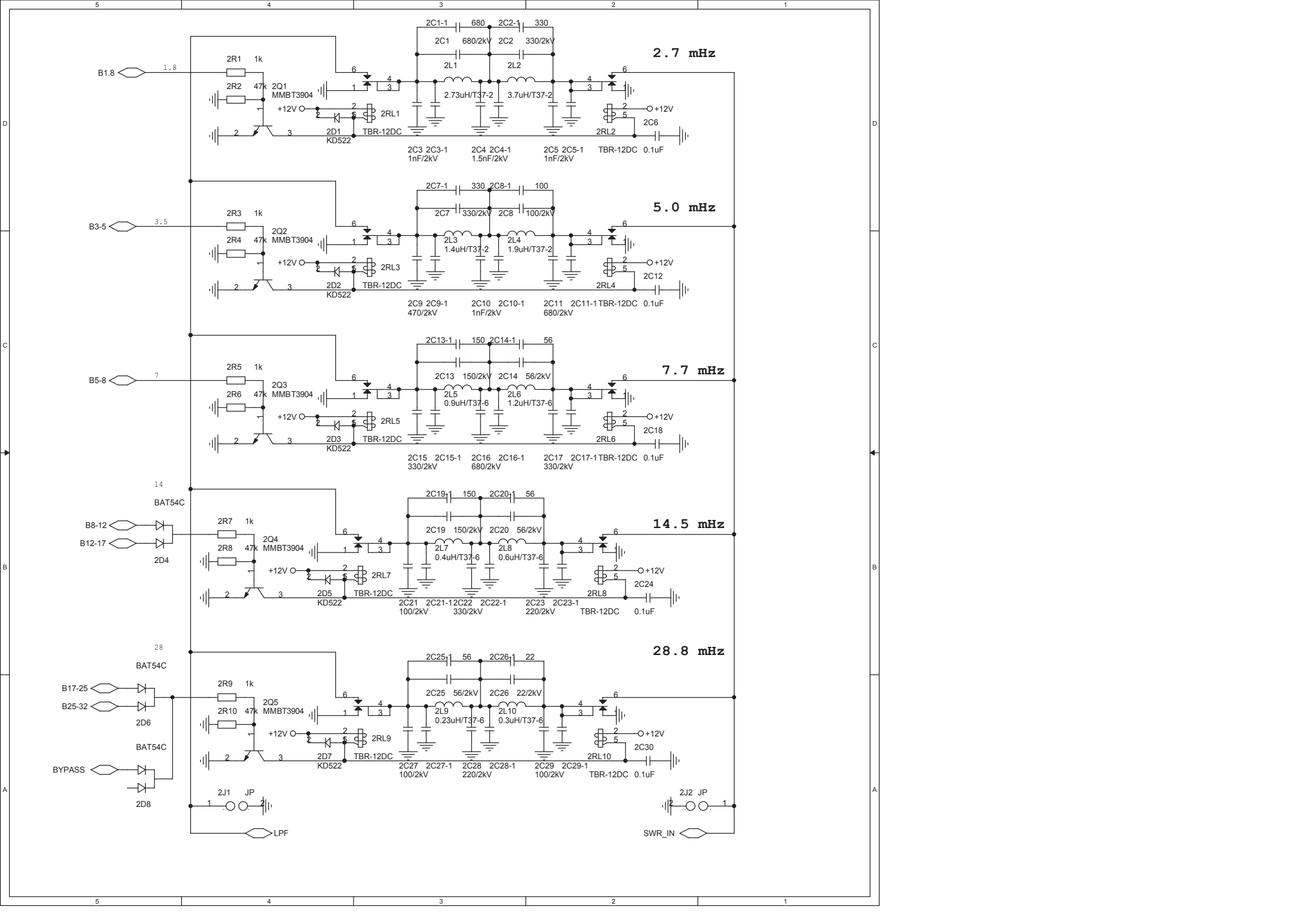
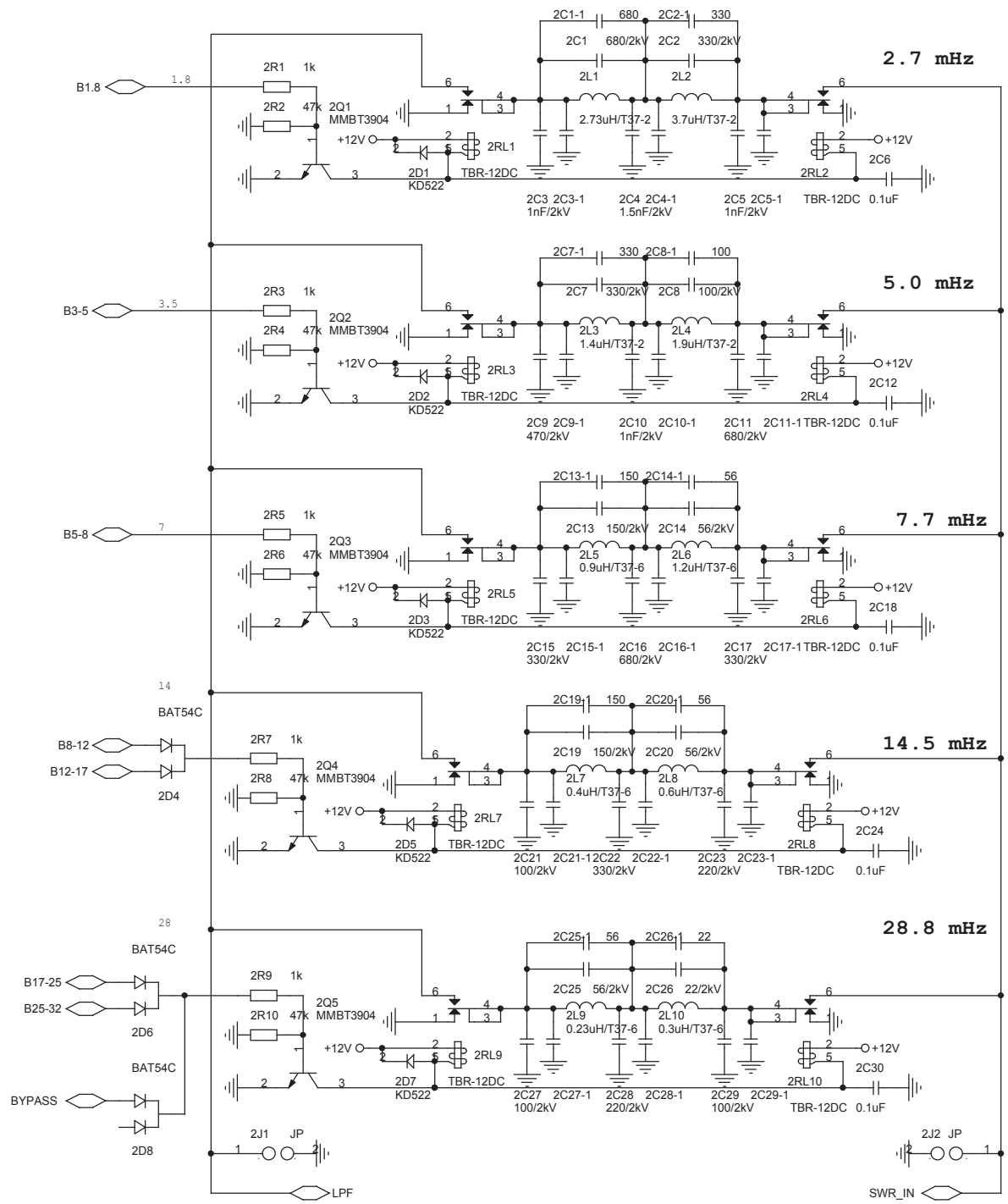
5

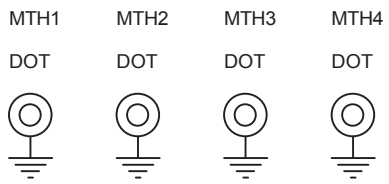
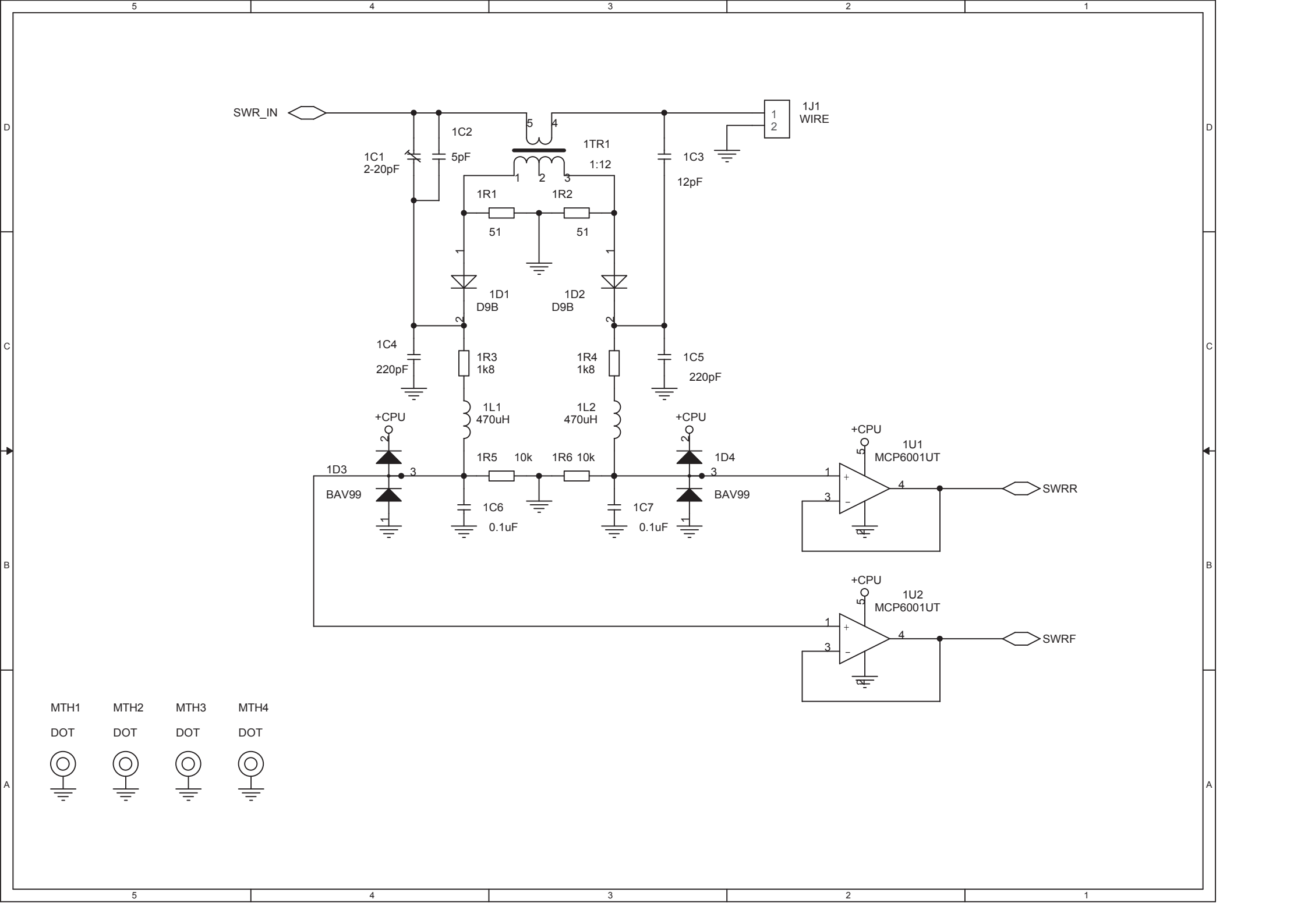
4

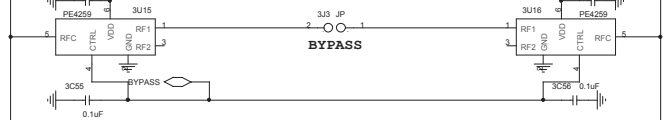
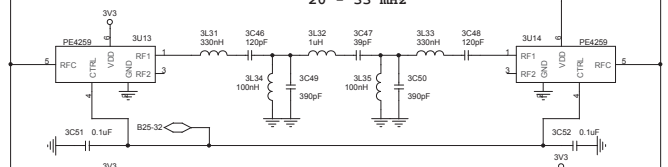
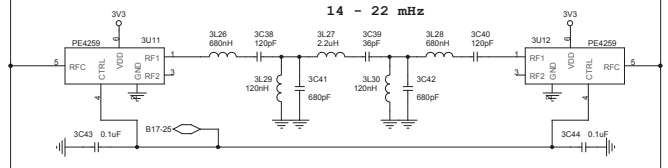
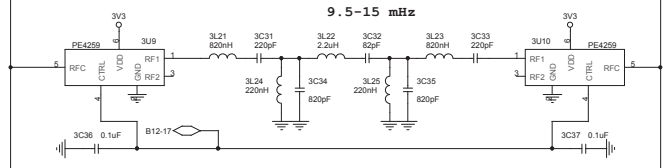
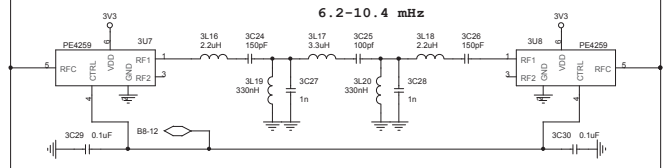
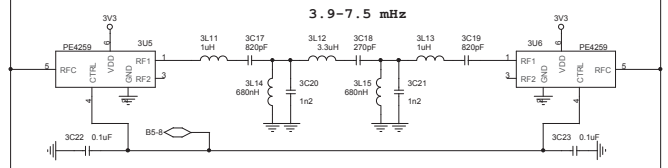
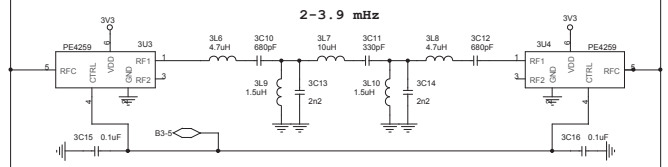
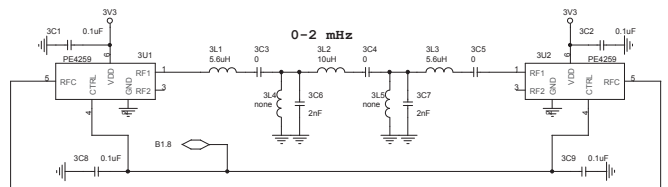
3

2

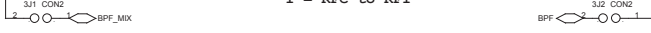
1



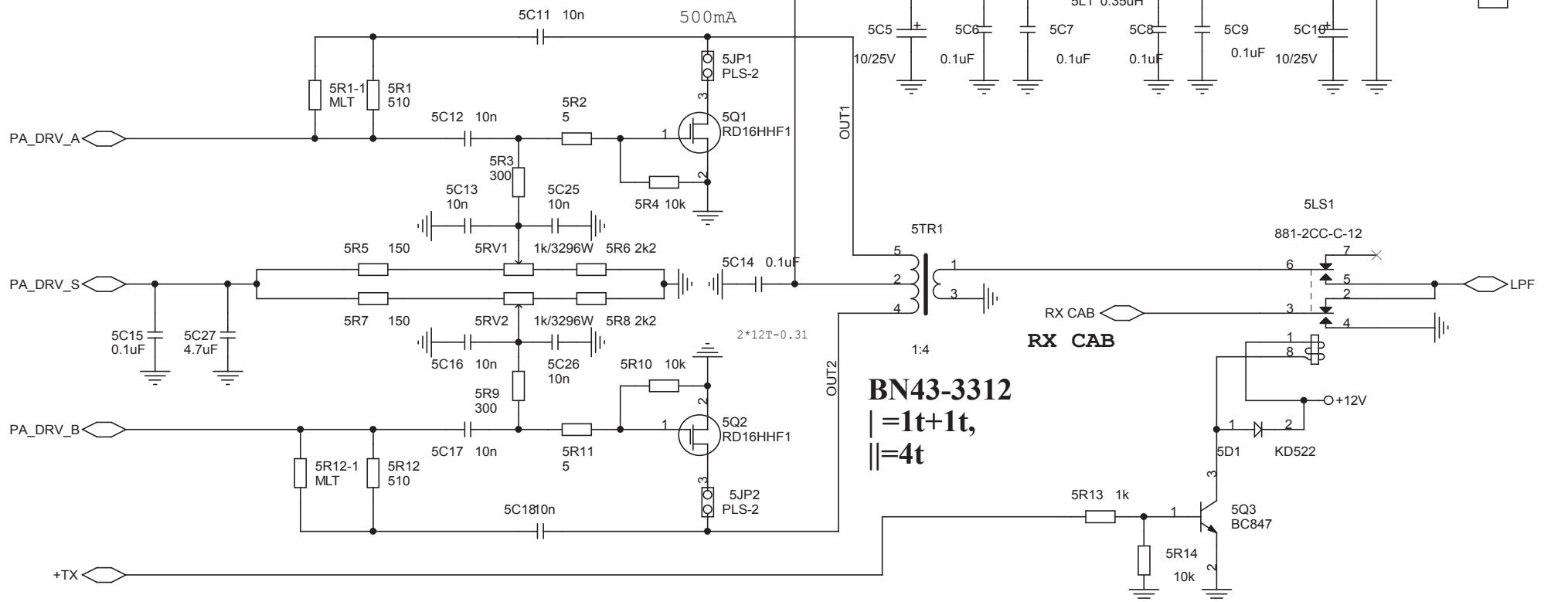




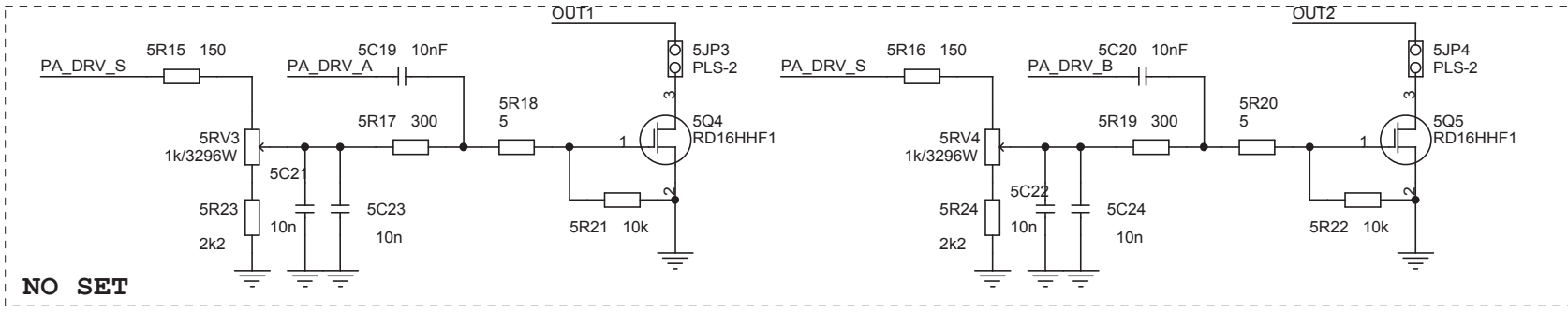
1 = RFC to RF1



**Setup->TX Setup->Mix out = ~33%**



**BN43-3312**  
 $=1t+1t,$   
 $=4t$

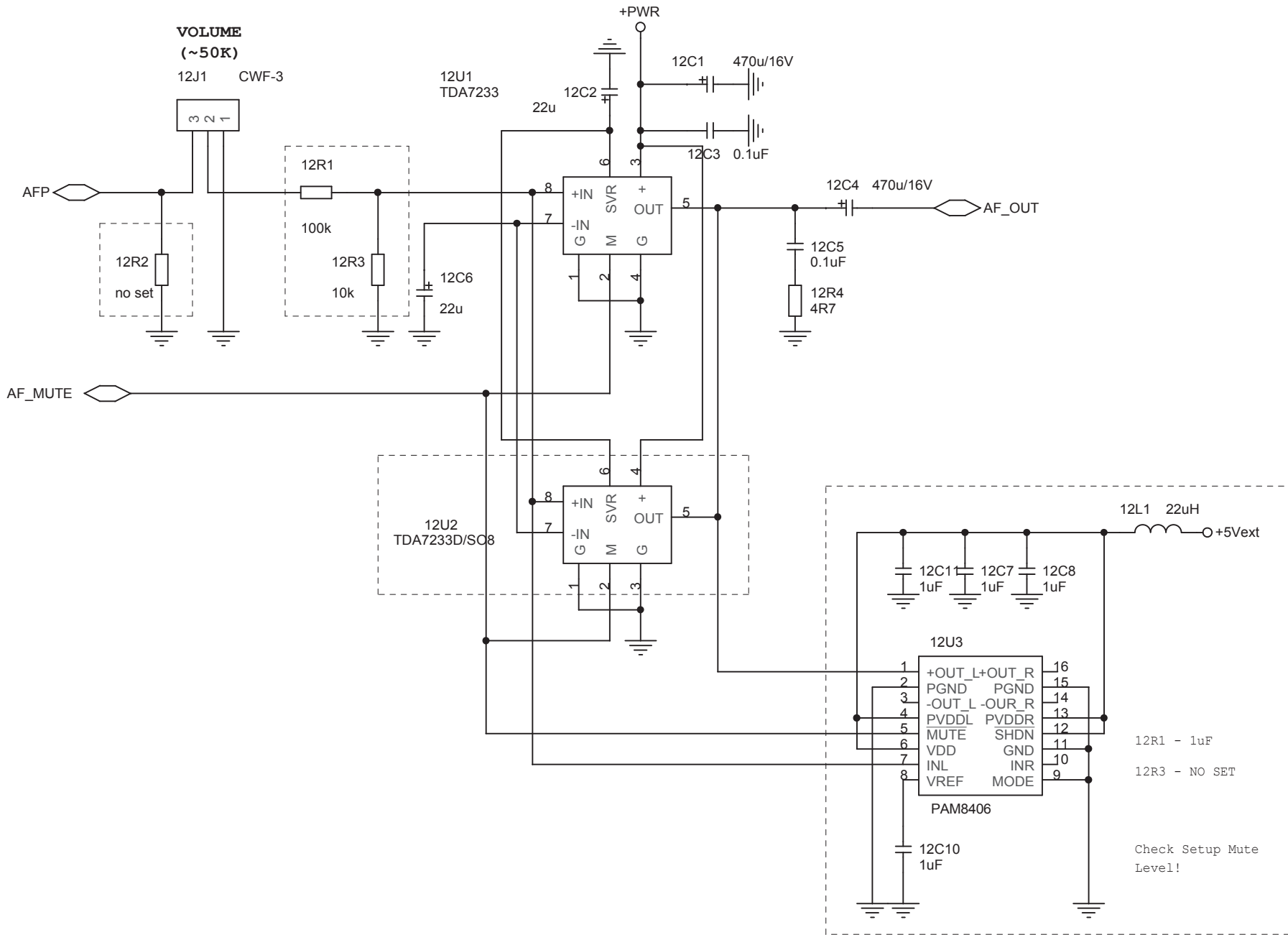


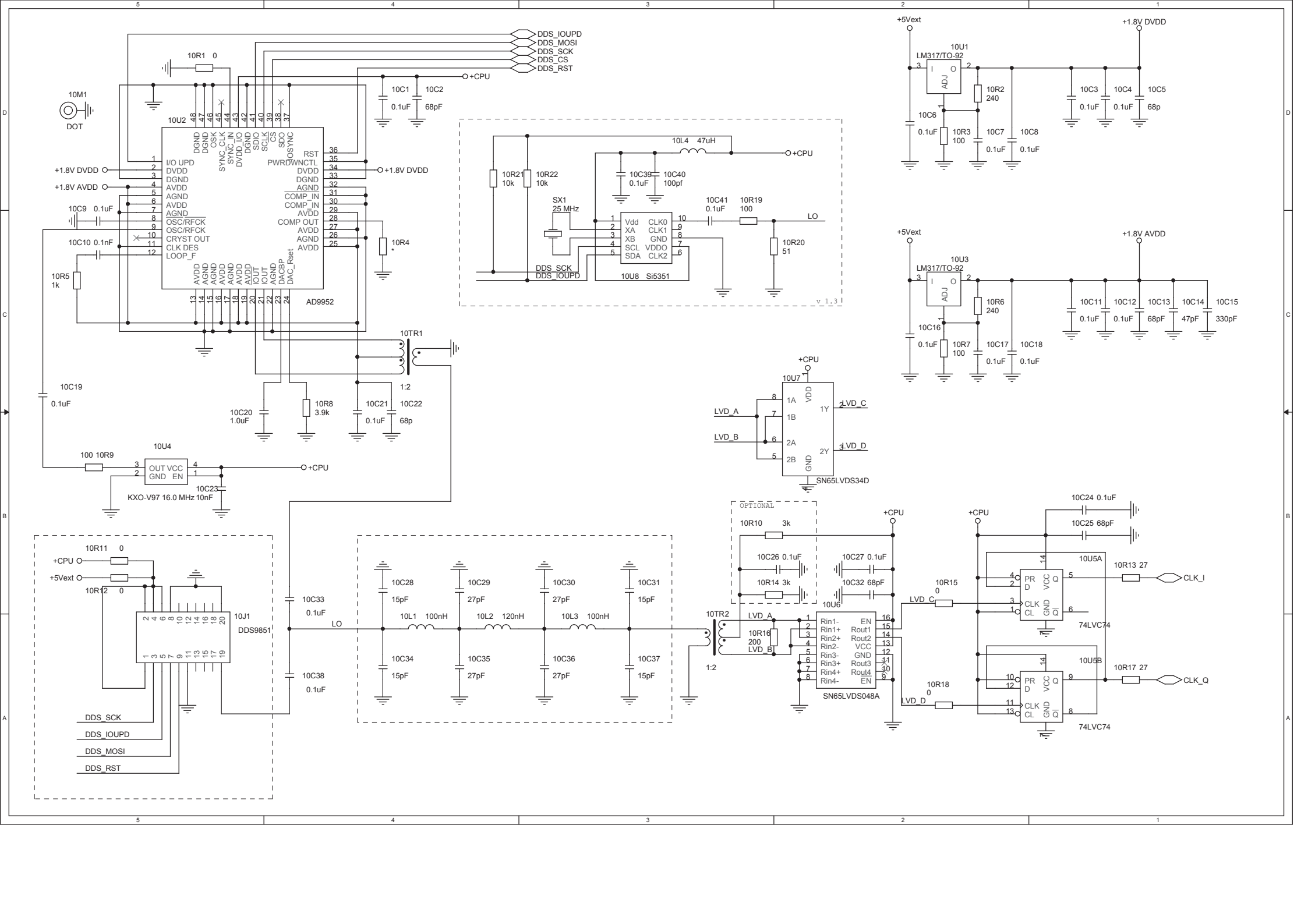
**NO SET**

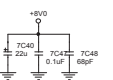
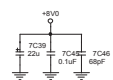
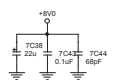
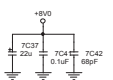
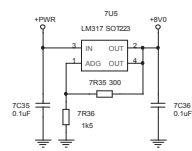
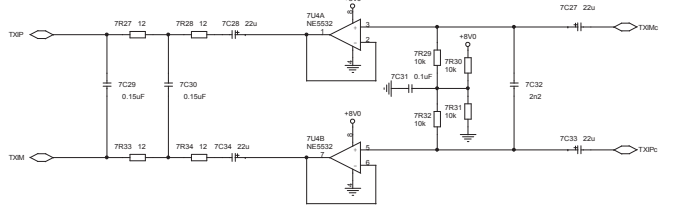
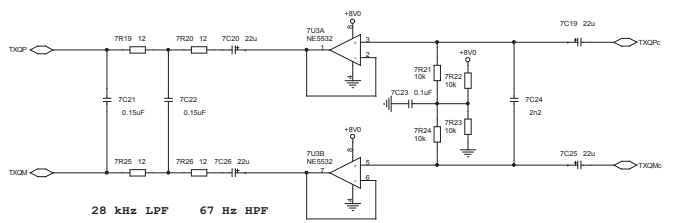
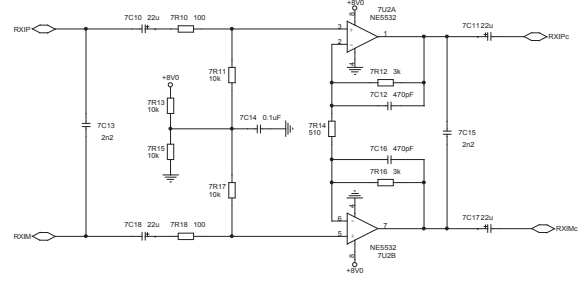
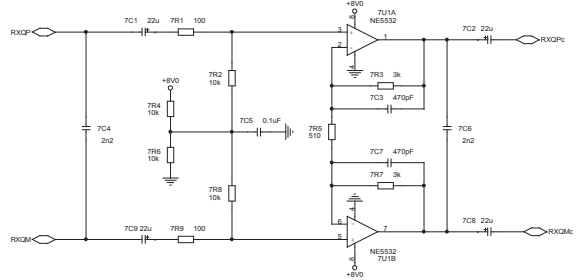
5 4 3 2 1



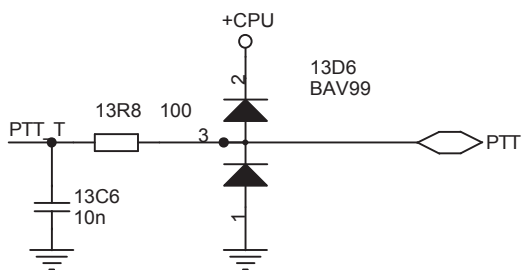
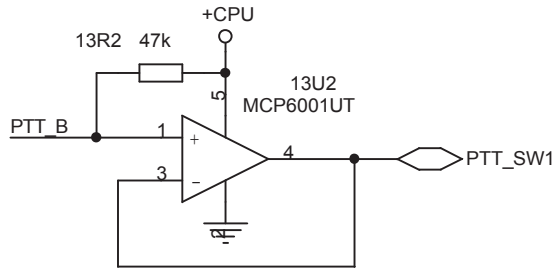
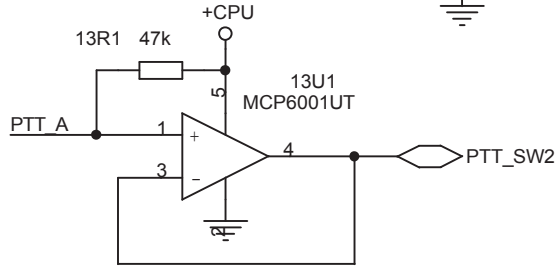
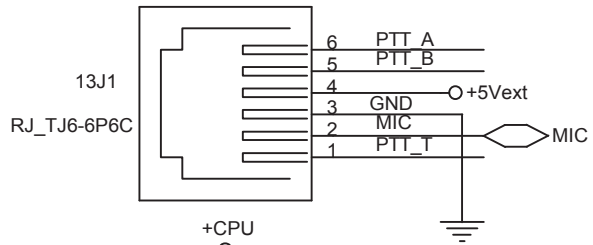








### PTT



### ACC

CSK-M50-08 ?

