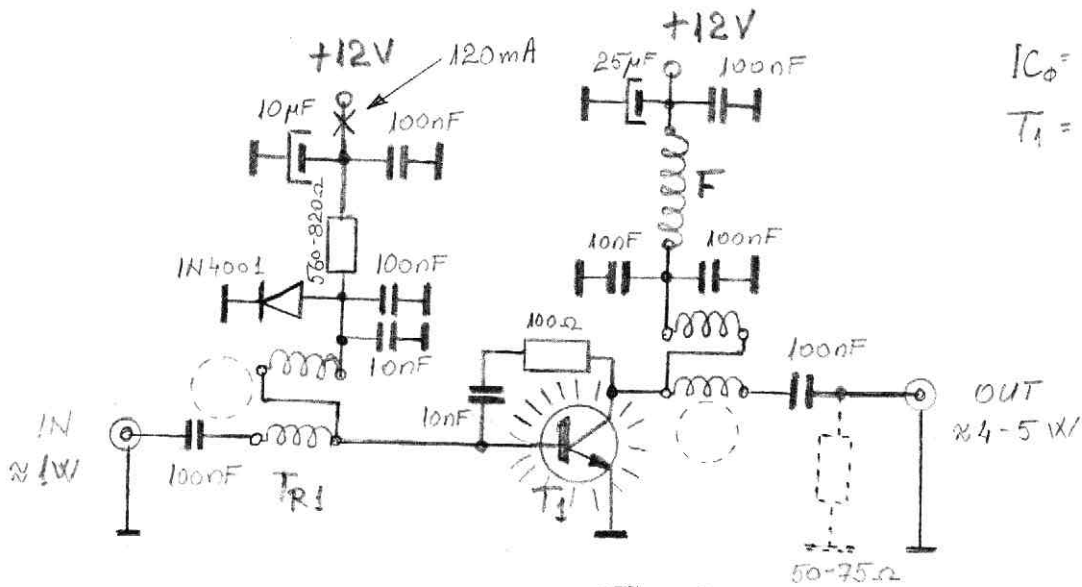
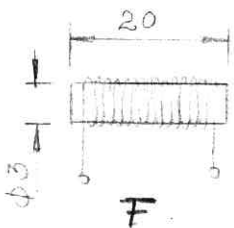


# QRP AMPLIFIER (nr: 2)

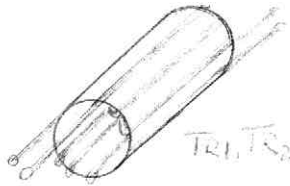


$I_{C_0} = 120 \text{ mA}$

$T_1 =$  KT907  
2N3632  
2N4933



-ferrite core  
n-40 turns  $\phi$  0.25 CuEm



-ferrite toroid T-10x6x20-F<sub>4</sub>, T-10x6x40-F<sub>4</sub>

TR<sub>1</sub> = n-9 turns bifilar  $\phi$  0.7-1 mm CuEm

TR<sub>2</sub> = n-6 turns bifilar  $\phi$  0.7-1 mm CuEm

