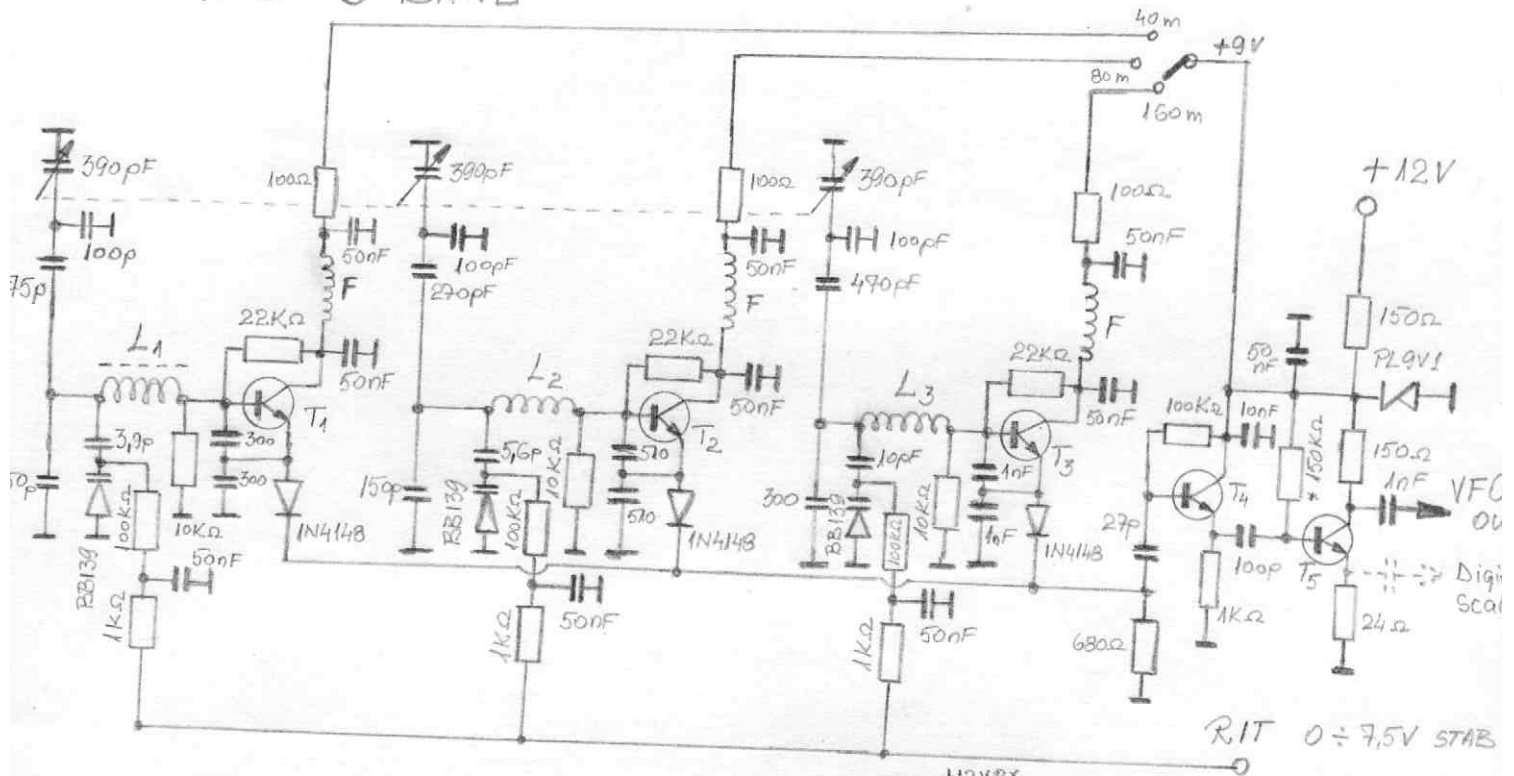


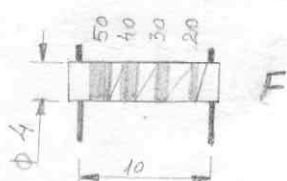
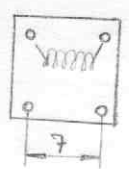
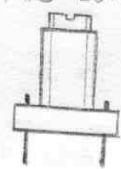
VFO - 3 BAND



$T_1 \div T_5$ - BF 198, 199

- $L_1 = n = 20$ turns ϕ 0.15 - 40m
- $L_2 = n = 55$ turns ϕ 0.15 - 80m
- $L_3 = n = 80$ turns ϕ 0.15 - 160m

All coils in PVC core + variable ferrite



PVC core
 $n = 50 + 40 + 30 + 20$ turns
 ϕ 0.1 CuEm

